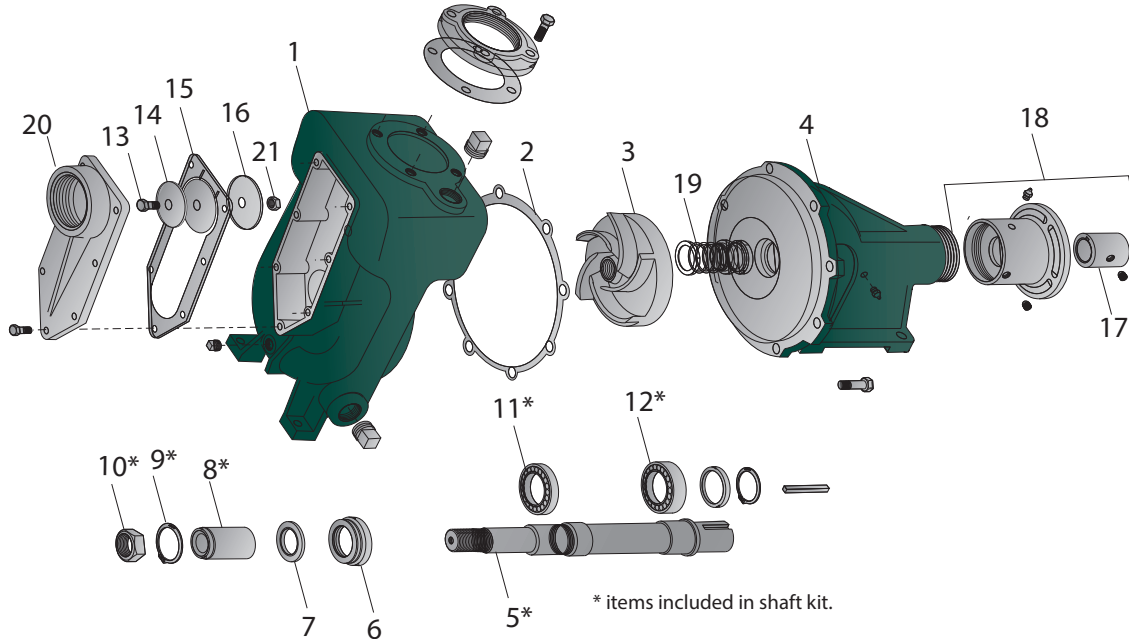




PARTS BREAKDOWN

B4ZRKS Self Priming Pump (CW)



PARTS							
#	NAME	SKU	ALT SKU	#	NAME	SKU	ALT SKU
1	Volute, Self Priming	113-H02505	H02505	12*	Ball Bearing	116-S13271	S13271
2	Volute Gasket	116-S05126	S05126	13	Cap Screw	116-S26824	S26824
3	Impeller, CW	112-M08095	M08095	14	Clack Weight	116-S15325	S15325
4	Pump Frame, Mechanical Seal	114-H04007	H04007	15	Clack Rubber	116-L04119	L04119
5*	Shaft Kit, Keyed	111-B80703	B80703	16	Clack Weight	116-S14842	S14842
6	Inner Bearing Cap	116-S19033	S19033	17	Shaft Coupling (7/8" Splined)	116-S30636	S30636
7	Water Slinger	116-S12260	S12260	18	Hydraulic Adaptor Kit - Complete	115-B07779	B07779
8*	Shaft Sleeve (For Rope & Mech)	116-S39242	S39242	19	Mechanical Seal	116-S32690	S32690
9*	Retaining Ring	116-S23009	S23009	20	Pump Cover	116-L04108	L04108
10*	Impeller Lock Nut (CW)	116-M10220	M10220	21	Pump Nut	116-S23102	S23102
11*	Ball Bearing	116-S13270	S13270				

COMPLETE PUMPS

NAME	SKU
Pump with Hydraulic Adaptor	102-B69876
Pump without Hydraulic Adaptor	102-B69880



4806 S 40th St, Phoenix, AZ 85040

© 2018 Access Truck Parts