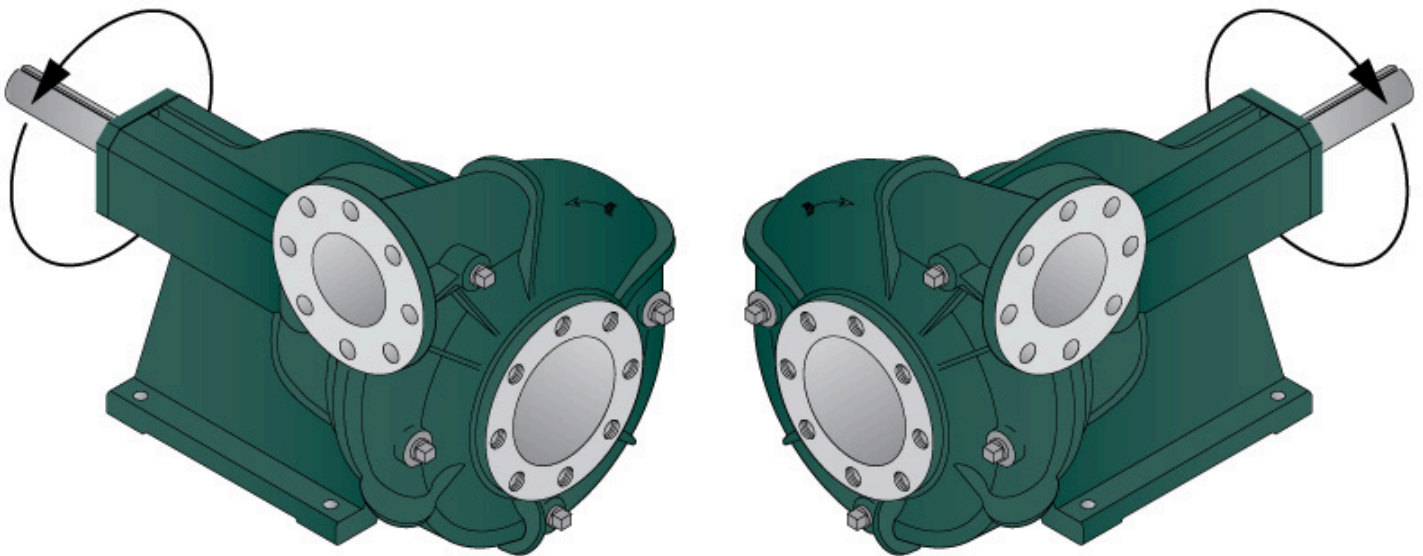
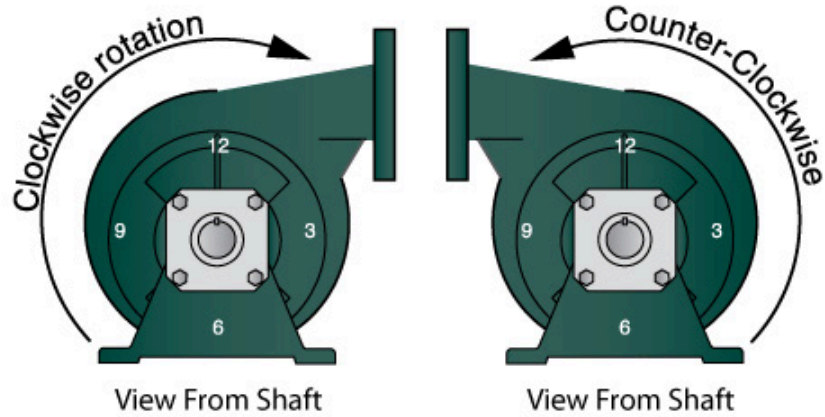




Centrifugal Pump Information

Rotation, Seal Types & Maintenance



ACCESSTRUCKPARTS

4806 S 40th St, Phoenix, AZ 85040

© 2018 Access Truck Parts



ROTATION CHECK

Before pump is put into operation the rotational direction must be verified to assure proper performance (Refer to illustration).

- Centrifugal pumps will still pump liquid when the rotation is incorrect, however Gallons Per Minute and head will be a fraction of the published performance.

STARTING A NEW PUMP

Rope Seal: Before starting a pump with a Rope Packing Seal for the first time, loosen gland nuts and retighten, finger tight. Once running, allow packing to leak liberally for a few moments, then tighten gland nuts one complete turn each until leakage is reduced to 40 to 60 drops per minute.

Mechanical Seal: Adjustment or maintenance is normally not required. The seal is enclosed within the pump and is self-adjusting. Seal is cooled and lubricated by the pumped liquid.

LUBRICATION

The liquid end of a pump requires no lubrication. Wear rings, packing rings, and models using a mechanical shaft seal are lubricated by the liquid being pumped.

- Never run a pump dry. Running without water will cause your pump to overheat and can damage internal parts.

Grease should be added as required by daily and weekly routine inspections. Lubricate each bearing with a lithium-based NGLI No. 2 extra pressure ball bearing grease.

- Excess grease will cause bearings to run hot.

ROUTINE MAINTENANCE

A well maintained pumping system will extend the life of the unit and will require fewer repairs. This means less down time which can be very critical when a constant delivery of water is required. A routine maintenance and inspection schedule should be set up on a weekly, quarterly, and annual basis with records kept of these actions.

ACCESSTRUCKPARTS

4806 S 40th St, Phoenix, AZ 85040

© 2018 Access Truck Parts